

Fig No:SF-150 2"~36"
DN50~DN900

Features:

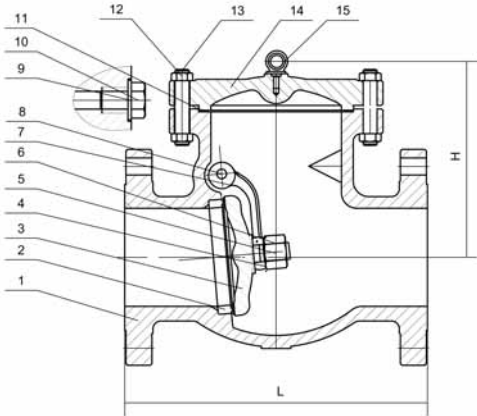
- Swing type design
- Bolted Bonnet
- Body and Bonnet joint accurately machined, Full enclosed gasket
- Disc-Robust one-piece construction to withstand the severe shock of check valve service
- Disc assembly-All parts are accessible from top for easy servicing
- Seat face stellite, ground and lapped to a mirror finish

Sample Castings:

Before castings are released for production, the Modentic NDE inspector level, evaluates and approves the submitted x-ray films (100% coverage) as per ASME B16.34 acceptance standard. Improves the internal integrity of castings (RT level 2 or better) at pattern approval.

Standard compliance:

- Valve design according to API 600, BS 1868
- Shell wall Thickness according to API 600, BS 1868 class 150
- Pressure-temperature rating according to ASME/ANSI B16.34
- Material according to ASTM
- Face to Face according to ASME/ANSI B16.10 class 150 RF
- End to end according to ASME/ANSI B16.10 class 150 BW
- Flanged dimension according to ASME/ANSI B16.5 class 150 RF, Finish 125-250 AARH
- Butt weld dimension according to ASME/ANSI B16.25
- Pressure testing according to API 598



DIMENSIONS unit:mm

| SIZE | L | H |
|------|------|-----|
| 2" | 203 | 151 |
| 2.5" | 216 | 175 |
| 3" | 241 | 173 |
| 4" | 292 | 204 |
| 6" | 356 | 252 |
| 8" | 495 | 296 |
| 10" | 622 | 391 |
| 12" | 699 | 439 |
| 14" | 787 | 478 |
| 16" | 864 | 527 |
| 18" | 978 | 584 |
| 20" | 978 | 627 |
| 22" | 1067 | 630 |
| 24" | 1295 | 743 |
| 26" | 1295 | 690 |
| 28" | 1448 | 750 |
| 30" | 1524 | 810 |
| 32" | 1594 | 845 |
| 36" | 1956 | 870 |

MATERIAL LIST

| NO | Part Name | Material |
|----|----------------|------------------------------|
| 1 | Body | ASTM A216 GR.WCB |
| 2 | Seat Ring | ASTM A105+1HF Faced |
| 3 | Disc | ASTM A216 GR.WCB+13%Cr Faced |
| 4 | Disc Washer | STAINLESS STEEL |
| 5 | Pin | ASTM A276 Type 410 |
| 6 | Disc Nut | ASTM A276 Type 410 |
| 7 | Hinge | ASTM A216 GR.WCB |
| 8 | Hinge Pin | ASTM A276 Type 410 |
| 9 | Spring Washer | CARBON STEEL |
| 10 | Plug | A276-410 |
| 11 | Gasket | 304-Graphite, Spiral Wound |
| 12 | Cover Bolt | ASTM A193 GR.B7 |
| 13 | Cover Bolt Nut | ASTM A194 GR.2H |
| 14 | Cover | ASTM A216 GR.WCB |
| 15 | Lifting Ring | CARBON STEEL |

Other Materials Also Available On Requested